

## Nameplate and Performance Data

NAMEPLATE DATA		
	60 Hz.	50 Hz.
Horsepower	1.5	1.5
Frame Size	143T	
Speed, RPM	3450	2850
Voltage	230/460V	190/380V
# Phase	3	
Full Load Amps	4.0/2.0	5.2/2.6
Power Factor	0.84	0.8
Nominal Efficiency	84	81
3/4 Load Efficiency	82.8	-
Service Factor	1.25	1
Duty	CONT / S1	
Full Load Temp Rise °C	45.4	-
Enclosure	TEFC	
Ambient Temperature	40°C	
KVA Code	H	J
FL Amps. @ 208 V	4.42	-
Insulation Class	F	
NEMA Design	B	
Weight	51	
DE Bearing	6205ZZ	
NDE Bearing	6205ZZ	
dB No-Load	-	
Rotor Wk <sup>2</sup> , Lb-Ft <sup>2</sup>	-	
Start Capacitor µF	-	
Start Capacitor V	-	
Run Capacitor µF	-	
Run Capacitor V	-	
Number of Leads	9	
Connection	YY/Y	
Coil Resistance (Ω)	9.25	

Motor Model:	TPE1+12R36CIC143T
--------------	-------------------

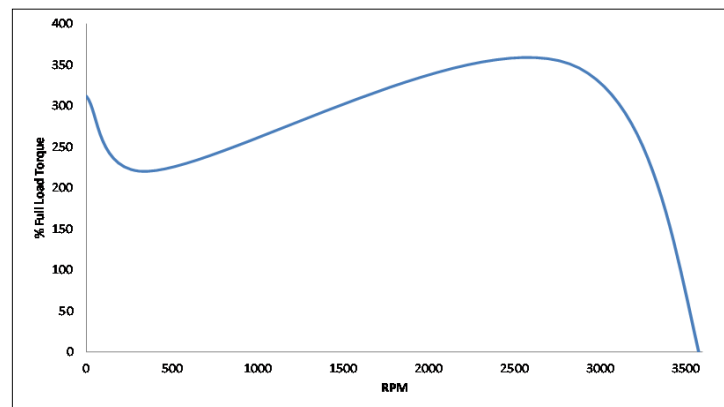
### Performance Load Values:

Performance values at High Voltage 60 Hz

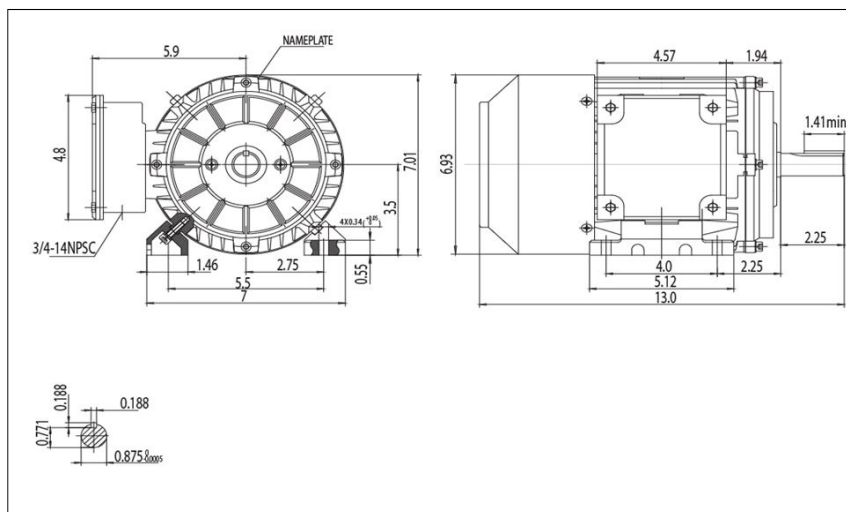
% Load	Horsepower	Current, Amps	Input power,	Speed, RPM	Efficiency, %	PF
0	-	1.0040	0.104	-	-	-
25	0.38	1.0810	0.39	3568.7	70.9400	0.4500
50	0.75	1.3260	0.69	3540	80.3000	0.6490
75	1.13	1.6230	1.00	3508	82.8000	0.7710
100	1.50	1.9800	1.33	3472	83.0000	0.8400
125	1.88	2.3980	1.68	3432.5	82.1000	0.8770

	Torque, Lb-Ft	% Full Load Torque	Speed, RPM	Current Amps.
Locked Rotor Torque	6.96	312.00	0	15.700
Pull-Up-Torque	6.78	304.00	186	-
Breakdown Torque	7.72	346.00	2615	-
Full Load	2.23	100	3472	1.980

### Speed Torque Curve



### Dimensional Drawing



Dimensions are for reference only. Allowance should be made for minor deviations in non standard specified properties.