

## Nameplate and Performance Data

NAMEPLATE DATA		
Horsepower	60 Hz. 7.5	50 Hz. 7.5
Frame Size	213T	
Speed, RPM	3520	2910
Voltage	230/460V	190/380V
# Phase	3	
Full Load Amps	17.8/8.9	23.6/11.8
Power Factor	0.88	0.837
Nominal Efficiency	89.5	86.5
3/4 Load Efficiency	89.3	-
Service Factor	1.25	1
Duty	CONT / S1	
Full Load Temp Rise °C	51.5	-
Enclosure	TEFC	
Ambient Temperature	40°C	
KVA Code	G	H
FL Amps. @ 208 V	19.68	-
Insulation Class	F	
NEMA Design	B	
Weight	155	
DE Bearing	6308ZZ	
NDE Bearing	6308ZZ	
dB No-Load	-	
Rotor Wk <sup>2</sup> , Lb-Ft <sup>2</sup>	-	
Start Capacitor µF	-	
Start Capacitor V	-	
Run Capacitor µF	-	
Run Capacitor V	-	
Number of Leads	9	
Connection	YY/Y	
Coil Resistance (Ω)	1.35	

Motor Model:	TPE7+12R36CIC213T
--------------	-------------------

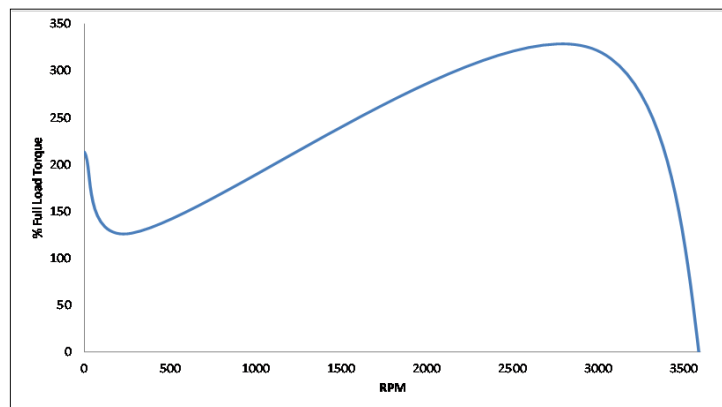
### Performance Load Values:

Performance values at High Voltage 60 Hz

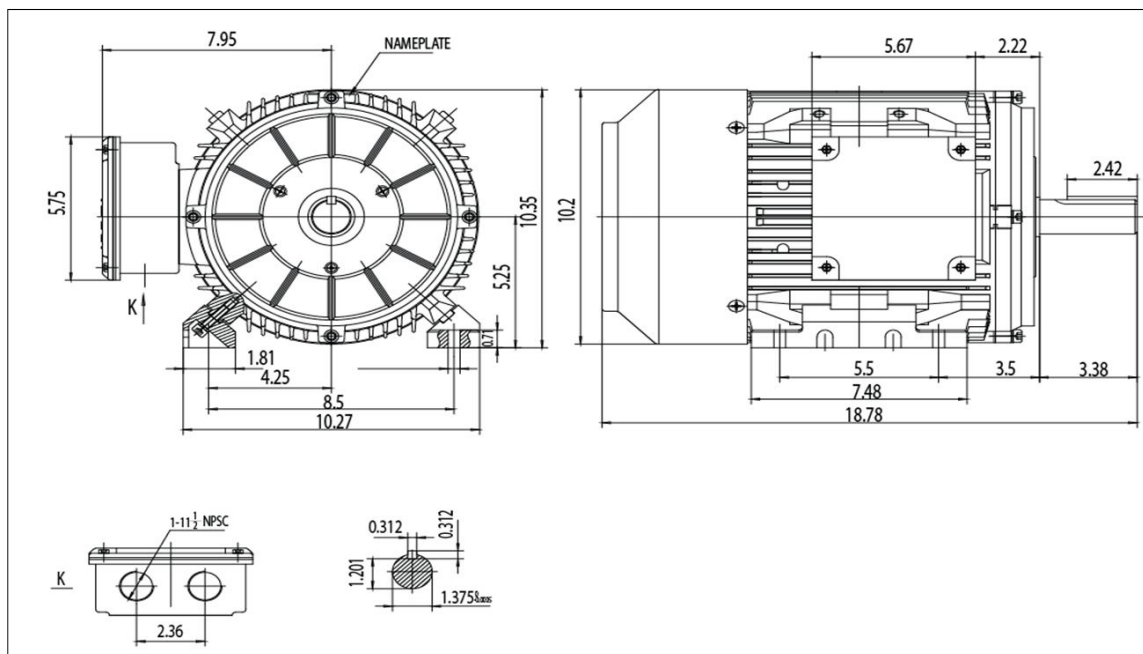
% Load	Horsepower	Current, Amps	Input power,	Speed, RPM	Efficiency, %	PF
0	-	2.3490	0.276	-	-	-
25	1.88	3.1500	1.68	3581	81.9000	0.6690
50	3.75	4.7150	3.13	3564	88.0000	0.8320
75	5.63	6.4910	4.62	3544	89.3000	0.8940
100	7.50	8.4610	6.18	3523	89.1000	0.9160
125	9.38	10.6100	7.80	3499.8	88.2000	0.9220

	Torque, Lb-Ft	% Full Load Torque	Speed, RPM	Current Amps.
Locked Rotor Torque	23.39	213.00	0	73.000
Pull-Up-Torque	13.94	127.00	279	-
Breakdown Torque	35.03	319.00	3012	-
Full Load	10.98	100	3523	8.461

Speed Torque Curve



Dimensional Drawing



Dimensions are for reference only. Allowance should be made for minor deviations in non standard specified properties.